

# MOTOCUT PLASMA CUTTER



**New era for steel pipe cutting**

# MOTOCUT PLASMA CUTTER

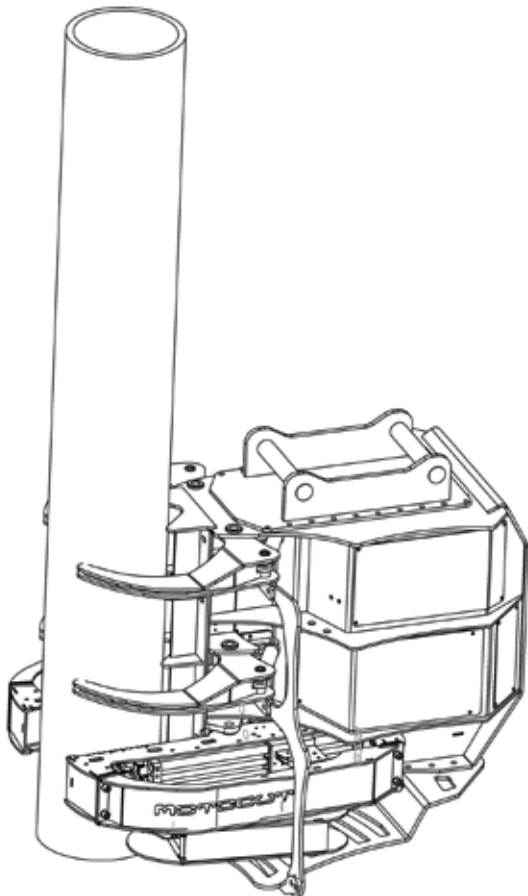
Our latest innovation is a plasma cutter, initially for cutting tubular steel piles and pipes. First in the world we have produced a fully self-contained mobile plasma cutter excavator attachment, which brings significant benefits for your company.

## MOTOCUT PLASMA CUTTER P-400

- For Ø166-406 mm steel pipes (6.5"-16")
- Can cut wall thickness currently up to 25 mm (1")
- Cut off length between 260-3000 mm (10'- 10')

The MotoCut Plasma Cutter is a fully automated cutter. It is self-contained and runs of any 13-20tn hydraulic excavator with a hammer line and tiltrotator. In addition, the cutting process is fully computer controlled, which means that the productivity and quality is much higher compared to standard cutting methods. The Plasma cutter can be operated solely by the excavator driver, no additional labourers required.

## TECHNICAL SPECIFICATIONS & DRAWINGS



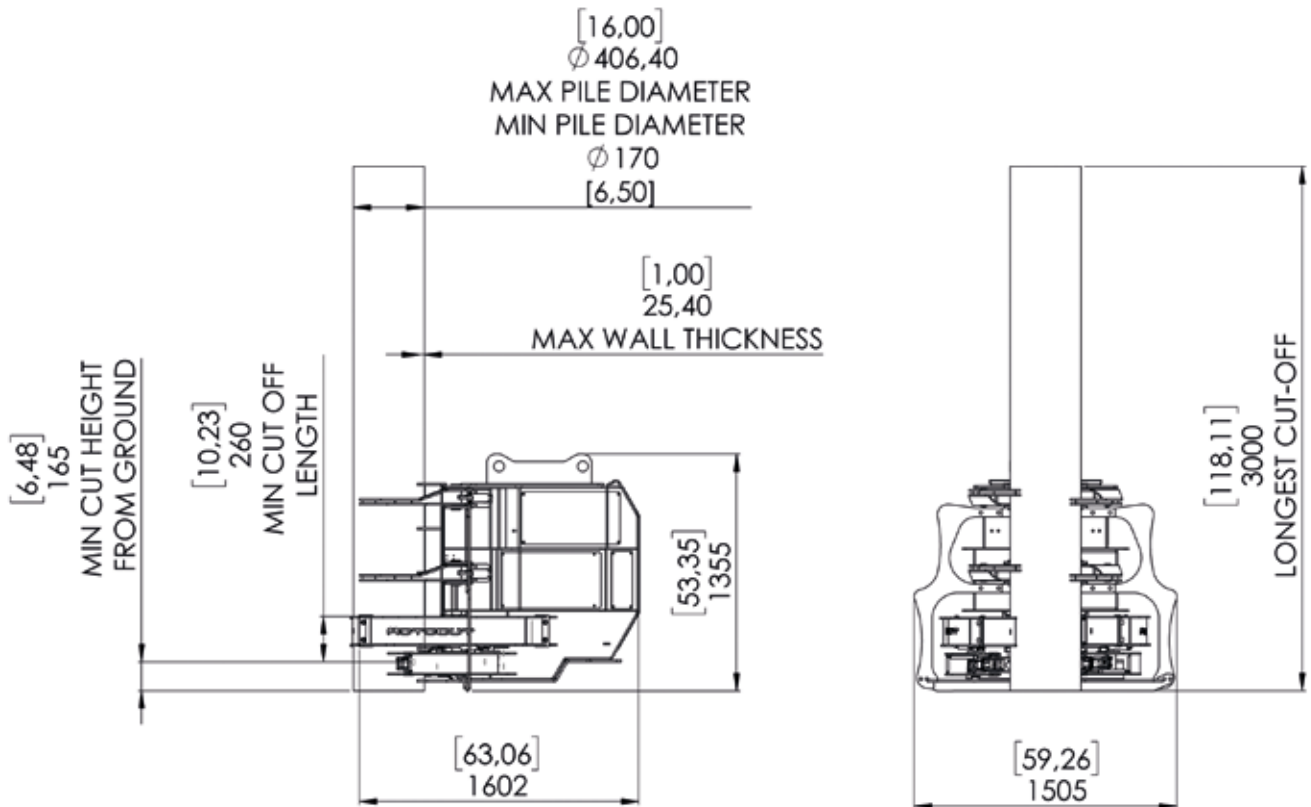
### TECHNICAL SPECIFICATIONS

- 12 kW hydraulic-electric generator
- 14 C.F.M. air compressor
- 85A plasma unit
- Weight 1400 kg (3086 lbs)
- Dimensions (L x W x H): 1602 x 1505 x 1355 mm (63" x 53" x 59")

### EXCAVATOR REQUIREMENTS:

- hammer line
- tiltrotator
- 24V, 30A (or 12V + converter)
- Oil flow requirements:
  - >150 l/min (40 gl/m) under 200 bar (2900 psi) pressure (hammer line)
  - hoses for the grabbles (extra lines from tiltrotator)





## BENEFITS

- Saves money
  - Incredibly low running costs
  - Only the fuel of the excavator needed
  - No expensive gases, blades or diamond wire
  - Significantly lower labour costs, less manpower needed
- Excellent quality of the cut. Off-cuts can be easily welded together
- Improved safety for operator, as the operator is placed in the excavator
  - HAVS, COSHH, ROPS, FOPS, UV, dB, etc. "Home Safe"
- Productivity over 150 piles / day
- Reduced dB noise pollution
- Uses only compressed air – No expensive combustible gases





# MOTOCUT

*Cutting edge technologies*

## MOTOCUT OY

Koivunoksa 7  
04200 Kerava, Finland  
[www.motocut.fi](http://www.motocut.fi)

## CEO

Anssi Jansson  
+358 40 544 5441  
[anssi.jansson@motocut.fi](mailto:anssi.jansson@motocut.fi)

## Regional Sales Director

Niklas Spångberg  
+358 40 196 0889  
[niklas.spangberg@motocut.fi](mailto:niklas.spangberg@motocut.fi)

## Regional Sales Director

David Maclynn  
+44 7799 866 866  
[david.maclynn@motocut.fi](mailto:david.maclynn@motocut.fi)